

Manual Grapple (MAG)



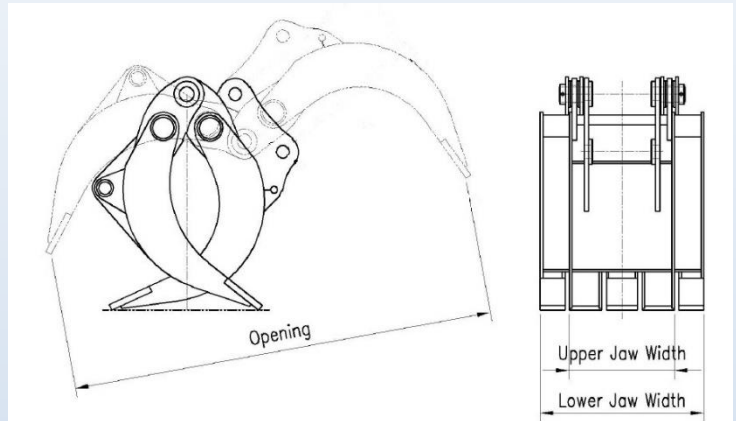
- Simple design for demolition
- No Extra hydraulic power
- AR steel for durability.
- Selectable mounting bracket.
- Selectable colors.
- Selectable tip shape and additional plate.
- Back link or Thumb for bottom jaw



Manual Grapple (MAG)



A link and an adjustable Bracket will be supplied



Spec.	Excavator	Weight	Opening width	Jaw width , Upper	Jaw width ,Bottom
unit	ton	kg	mm	mm	mm
MAG3	5~10	340	1470	450	700
MAG6	11~18	700	2230	508	912.8
MAG8	18~24	1200	2410	762	1117
MAG10	25~36	1600	2870	800	1200
MAG15	37~42	2200	2940	900	1300
MAG20	43~50	2600	3600	1000	1400
MAG40	50~80	3500	3800	1100	1500

