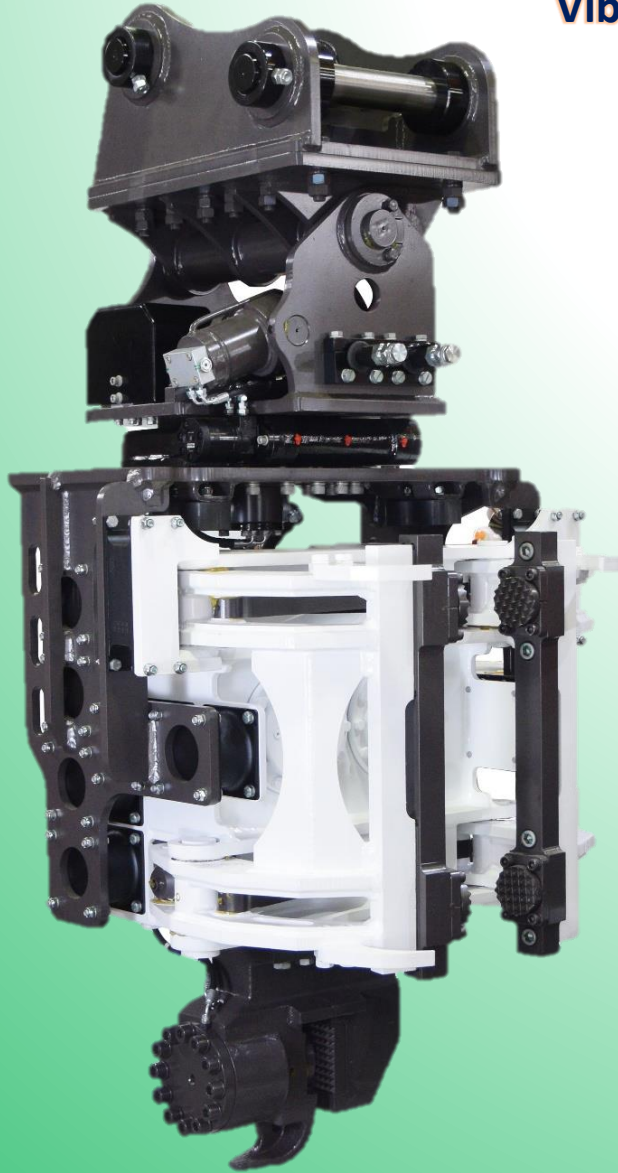


PILE DRIVER, SIDE-GRIP

Vibratory Hammer

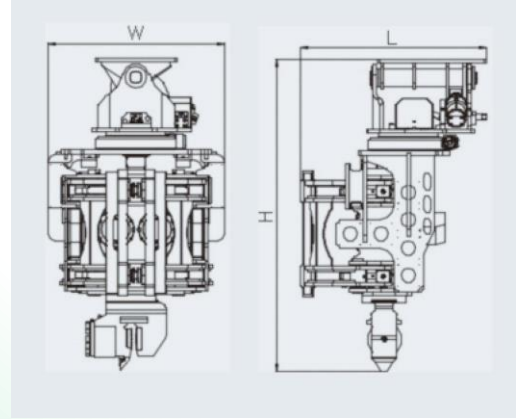
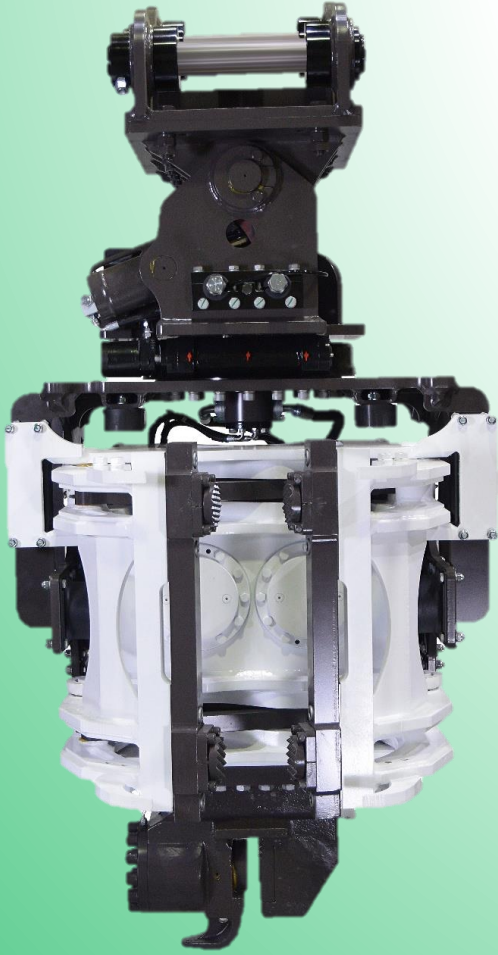


- Excellent Excavator attachment for piling.
- Any type or size of the pile can be handled.
- 35' tilting , 360' rotation.
- Very efficient to work in a narrow space.
- Both Side and Bottom grip provide safe and efficient job completion
- Best for River/Sea wall, foundation wall, dock/boathouse, temporary dam, barrier for wall /soil ...
- No need for a heavy crane.
- Durable and Reliable design



PILE DRIVER, SIDE-GRIP

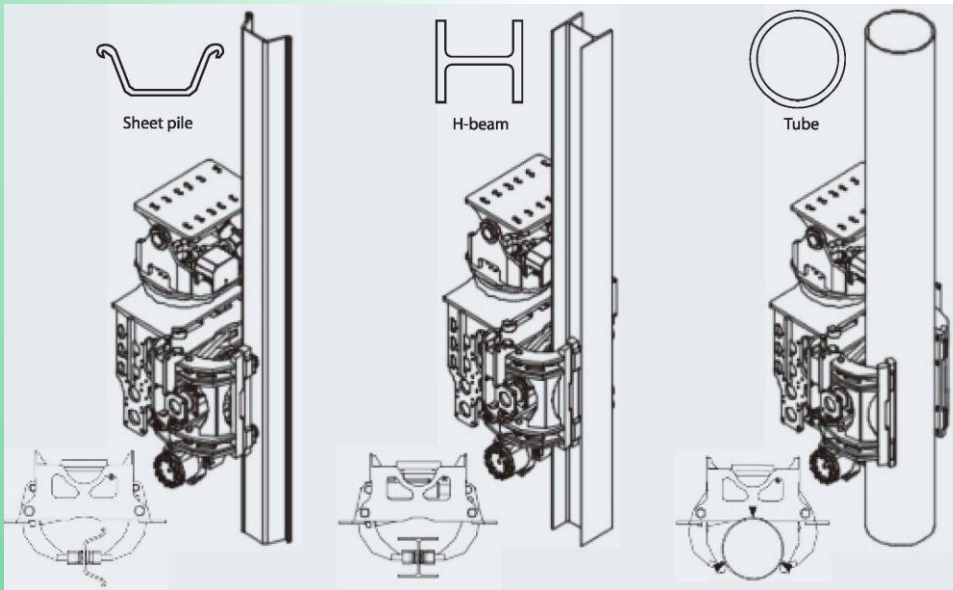
Vibratory Hammer



MODEL	Ut	SVSH30	SVSH35
Eccentric moment	Kg.m	6	10
	In.lbs	476	680
Centrifugal force	KN	640	1,000
Amplitude	mm	8	12
	inch	0.31	0.47
Max frequency	rpm	2,700	2,700
Oil flow rate	l/m	170 - 210	180 - 240
Clamping force (@200 bar)	ton	40	44
Oil Pressure	bar	200-250	250-300
	psi	2,900 - 3,600	3,600-4,350
Rotating/Tilting angle	deg	360/35	360/35
Total height (H)	mm	2120	2250
	inch	83	88
Depth(L)	mm	1180	1230
	inch	46	48
Width(W)	mm	1200	1280
	inch	47	50
Weight	kg	2,400	2,850
Applicable Excavator	ton	20-32	33-40

PILE DRIVER, SIDE-GRIP

Vibratory Hammer



Bottom Jaw for sheet pile and H-beam



Bottom Jaw for pipes

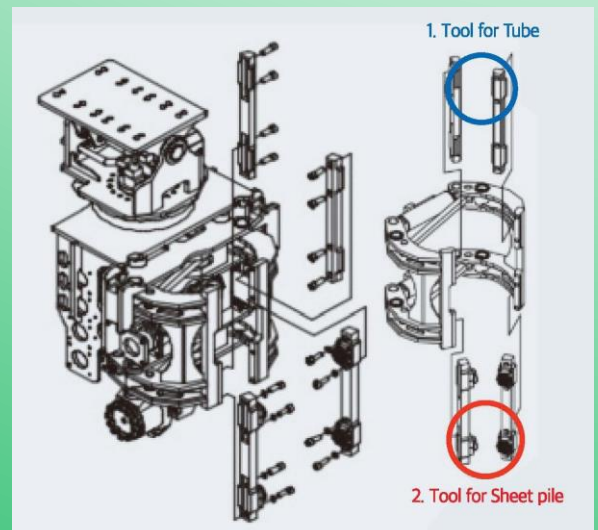
Sheet Pile		H-beam	Pipe, Tube
Width (mm)	Depth(mm)	spec	Diameter (mm)
400~1200	270	H125~H500	220~500



Bottom Jaw for logs

The standard side grip is for both sheet pile and H-beam. Changing of tool adaptor for pile, tube, and log is needed.

Sheet Pile Length(m)	Sheet Pile weight(kg)	20~32 ton	33~40 ton
6	2800		SVSH 35
12	1900		
16	1300		
6	2300	SVSH 30	
12	1800		
16	1200		



PILE DRIVER, SIDE-GRIP

Vibratory Hammer



Inclinometer

- Precise location of the pile driver's body.
- Top-quality display.
- Be located any place in the cabin window



The advanced ergonomic design provides both controllability and safety.

The Joystick is linked to the excavator controller.

The operator can control the pile driver and the excavator controller at the same time without shifting of hand.



Joystick controller

- Vibration, Jaw gripping, Rotation, and Tilting.
- Easy grip and handling.
- Different colors and locations for the control button.